



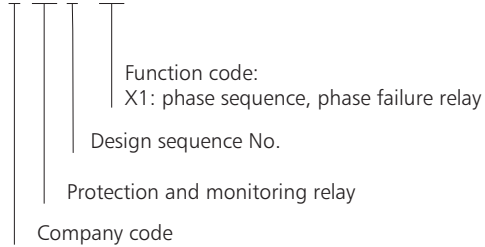
NJB1-X1 Relay (Phase Sequence, Phase Failure Protection)

1. General

NJB1-X1 relay (phase sequence, phase failure protection) is used as an phase sequence and phase failure protection device in control circuits with an AC voltage of 200V~500V and a frequency of 50Hz to make and break the circuit. It cannot monitor the phase failure of motor load. The products meet the requirement of standard IEC 60947-5-1

2. Type designation

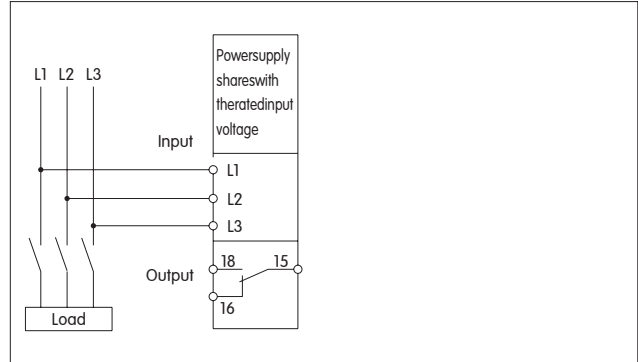
N JB 1 - X1



3. Operation conditions

- 3.1 Rated operational voltage: AC 200V~500V
- 3.2 Operation time: phase sequence, phase failure $\leq 0.1s$
- 3.3 Contact capacity: U_e/I_e : AC-15 220V/0.75A, 380V/0.47A; I_{th} : 3A
- 3.4 Mounting type: rail type, installation type
- 3.5 Power consumption: $\leq 3VA$
- 3.6 Note: In normal operation, the N/O contact of the relay is closed, the operation indicator is on.

4. Wiring diagram



5. Overall and mounting dimensions (mm)

